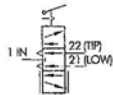
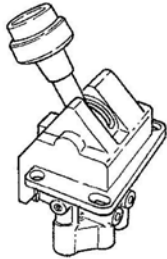


D125

2 WAY DISTRIBUTOR VALVE

Archimedes
Pneumatic & Hydraulic Inc.



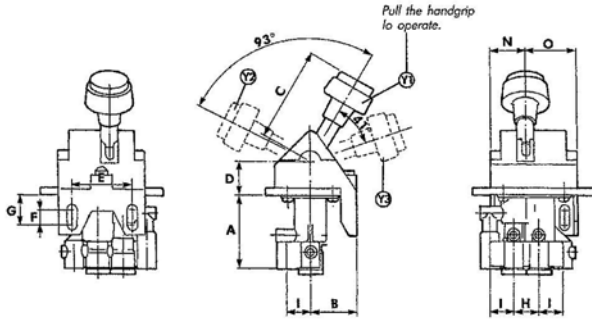
- 1 - SUPPLY
- 21 - CONTROL LOWERING
- 22 - CONTROL TIPPING
- 3 - EXHAUST

A1 A2 A3

	CODE D125 1000	CODE D125 2000	CODE D125 3000
A		58	
B		37	
C		76	
D		27	
E		48	
F		12	
G		24	
H		20	
I		19	
L		84	
M		46	
N		28	
O		41	

repair kit	SB340 055	SB340 061
------------	-----------	-----------

- A1 - standard model
- A2 - with automatic return lever in reset position, port 21-LOW and port 22-TIP
- A3 - with automatic return lever in reset position, port 22-TIP



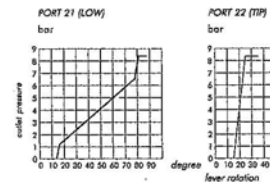
Thread ports G1/8" depth 12.

- LEVER POSITION
- Y1 = reset position (with lock)
 - Y2 = operation PORT 21
 - Y3 = operation PORT 22

WORKING DATA

	AIR
Working medium	AIR
Operating pressure	MAX 12 bar
Working temperature	-40 °C+80 °C
Nominal diameter	Ø 4 mm
Weight	Kg 0.390

DIAGRAM REFERRED TO SUPPLY PRESSURE = 6.5 bar



Detail assembling flange.

D125 AND D126 DISTRIBUTORS - operating notes

DESCRIPTION:

D125 page D26-D27: 2 - way distributors with single manual control; lever to activate section 21 and section 22.
D126 page D28-D31: 3 - way distributors with double manual control; small lever to activate section 23 and lever to activate section 21 and section 22.

USE AND OPERATION:

When inserted in the dumper system, these distributors, by using levers or controls, can feed the port ducts, controlling the various dumper phases.
By activating the lever from resting position Y1 to position Y2, the delivery pressure to section 21, can be varied, and thus it is possible to lower (LOW function).
By activating the lever from resting position Y1 to position Y3, the delivery pressure to duct 22, can be varied, and thus it is possible for tipping (TIP function).
For the 3 - way versions (series D126), activating small lever X, delivers pressure to duct 23, thus inserting the power take-off (PTO function).

VERSIONS:

The table reports all the available versions which differ in terms of whether or not they have an automatic return, pressure indicator and, on the 3 - way distributors, automatic disengagement of the power take-off (PTO section 23) while lowering the bed. (references A1-A2.... are those indicated on the catalogue pages).

	CODE	catalogue reference	with automatic return of the section 22 TIP lever	with automatic return of the section 21 LOW lever	with automatic disengagement of section 23 (PTO) while activating section 21	with led and pressure indicator
2 - WAY DISTRIBUTORS	D125 1000	A1	-	-	FUNCTION NOT INCLUDED	-
	D125 2000	A2	YES	YES		-
	D125 3000	A3	YES	-		-
	D125 1060	A4	-	-		YES
	D125 2060	A5	YES	YES		YES
	D125 3060	A6	YES	-		YES
3 - WAY DISTRIBUTORS	D126 1000	A1	-	-	YES	-
	D126 2000	A2	YES	YES	YES	-
	D126 3000	A3	YES	-	YES	-
	D126 1005	A4	-	-	-	-
	D126 2005	A5	YES	YES	-	-
	D126 3005	A6	YES	-	-	-
	D126 1060	A7	-	-	YES	YES
	D126 2060	A8	YES	YES	YES	YES
	D126 3060	A9	YES	-	YES	YES
	D126 1065	A10	-	-	-	YES
	D126 2065	A11	YES	YES	-	YES
	D126 3065	A12	YES	-	-	YES